

# RP433 LH-ALF™ Material Handling Pulley

## Data Sheet

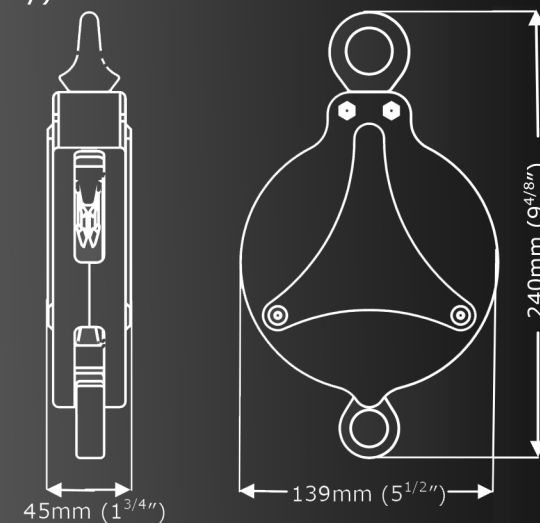


climb. work. rescue.

# I|S|C

SOLUTIONS IN METAL

The LH-ALF has been designed for material handling (not recommended for use with people). The LH-ALF has brake pawls on one side only which means that there is no restriction on hauling speed/movement (on the normal two-way locking R-ALF device, unintentional locking can occur when hauling too quickly).



<b>Weight</b>	1236g (43.5oz)
<b>Rope size</b>	11mm
<b>Body Material</b>	Aluminium
<b>Finish</b>	Anodised
<b>WLL</b>	250kg (550lbs)